

- o Flat Cable Connectors SEK
- o *har-mik®*
- o D-Sub
- o InduCom

Applications



Product details

09 33 006 2601

Male insert, Han 6 E

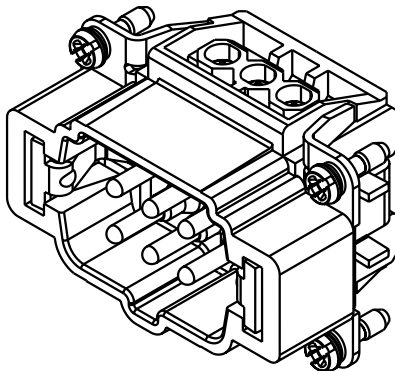
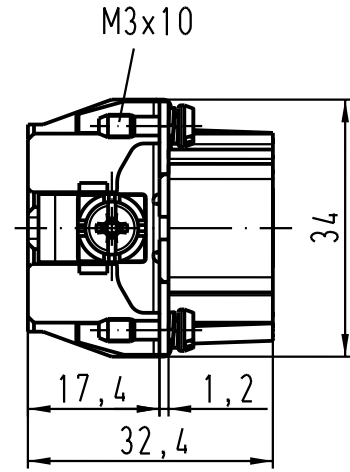
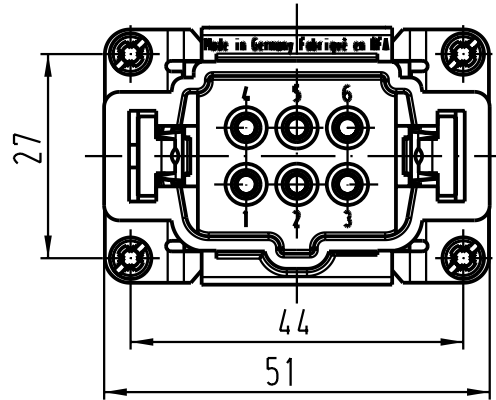
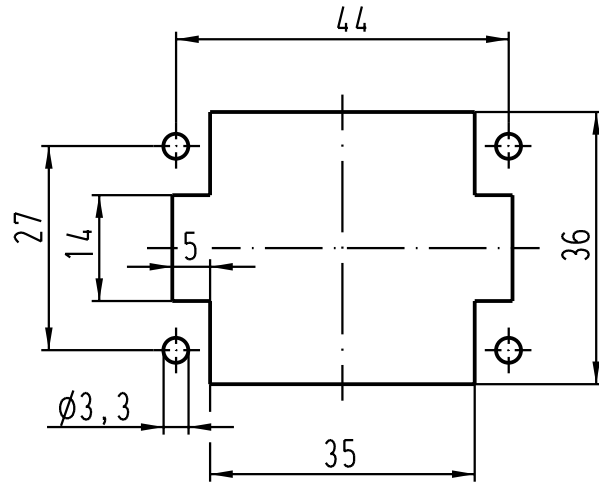
Series	Han E®, Han® ES/ESS, Han E® AV, Han® ES AV
Number of contacts	6 poles + PE
Size of hood/housing	Han® 6 B
Termination	Screw term. with wire prot.
Insert material	Standard material
Contacts	Inclusive
Electrical data	16 A 500 V 6 kV 3
RoHS compliant	Yes

Available Downloads

Title	Format	
Data sheet	PDF	↕ download
CAD data 2D	DXF	↕ download
CAD data 3D	IGES	↕ download
CAD data 3D	STEP	↕ download

Inquiry

Montageausschnitt/
panel cut out



All Dimensions in mm Original Size DIN A 4			Techn. Character.			Nicht tolerierte Masse / Free size tolerances		
				Dat.	Name	Massstab / Scale		
			Detail.	09.04.98	KR	1:1		
			Insp.		Rue.			
410526	18.07.03	Ho	Stand.			Han 6E-M-s Stifteinsatz / male insert		
28552	11.10.00	ROH.						
26781								
Mod.	Dat.	Name	HARTING Electric GmbH & Co. KG D-32339 Espelkamp					
						TB 09 33 006 2601		
						Blatt / page Sub.		